



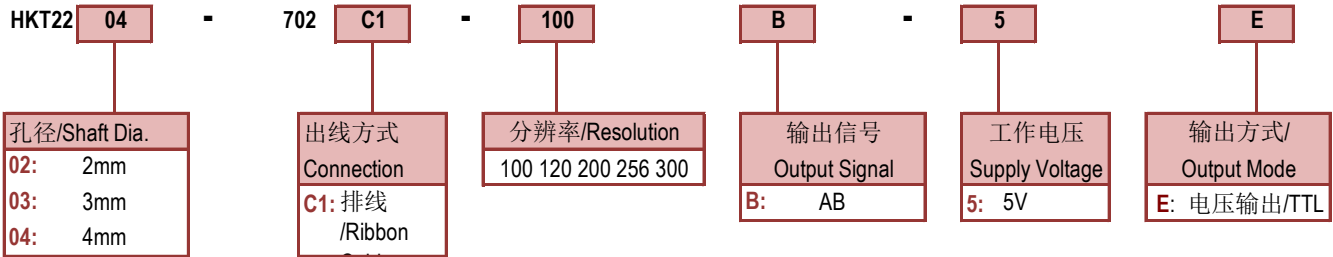
◆ 产品特点

- 体积小, 重量轻, 方便安装
- 2路正交输出信号 (A,B)
- 分辨率高达300脉冲
- 外径22mm, 孔径4mm

◆ Features

- Miniature size, easy assembling
- 2 quadrature output channel (A&B)
- Resolution up to 300 cpr
- Housing diameter 22mm, hollow-shaft diameter 4mm

◆ 型号说明 Ordering Information



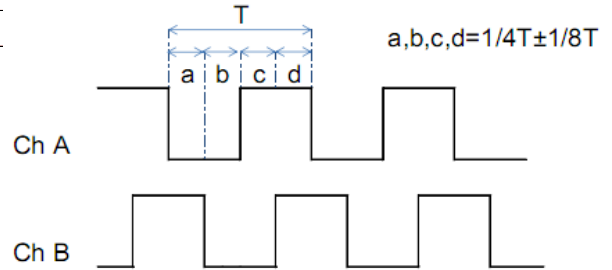
备注 / Note:

1 下单前请联系销售人员确认型号 / Please contact sales representative to confirm the correctness and availability of the part number

◆ 技术参数 Technical Specifications

| 参数/Parameter | 标准数值/Typ Value | 备注/Note |
|---------------------------------|---------------------|---|
| 电源电压/supply Voltage | DC 5V (±10%) | *1 最大响应频率受限于最大转速 |
| 最大响应频率/Max. Response Frequency | 30 kHz | Max. response frequency is gated by max. rotation speed |
| 最大转速/Max. Rotation Speed (*1) | 3000 rpm | |
| 最大消耗电流/Max. Current Consumption | 120mA (空载/Unloaded) | |
| 最大上升-下降时间/Max. Rise-Fall Time | 1us | |
| 工作温度/Operating Temperature | -20 ~ 85°C | |
| 储存温度/Storage Temperature | -20 ~ 85°C | |

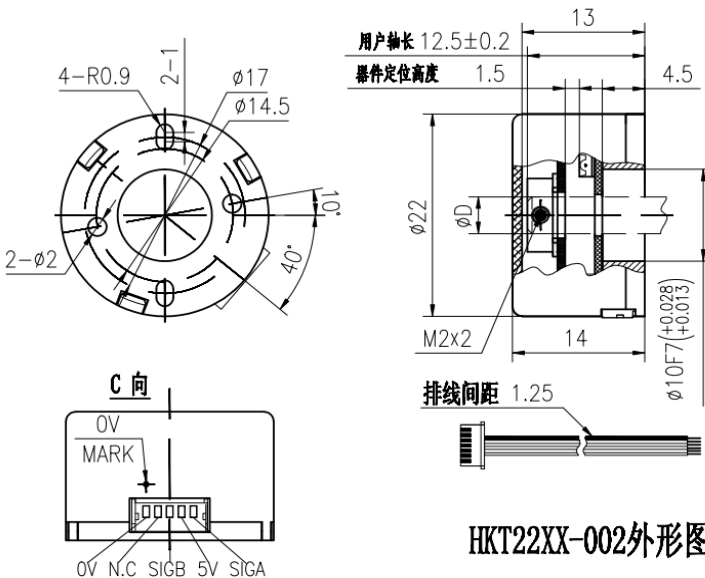
◆ 输出波形 Output Waveform



◆ 接线表 Connection Table

| 长线驱动 Line Driver | 0V | N.C. | B | Vcc | A |
|----------------------|-------|------|---|-----|---|
| 排线线号 Ribbon Cable | Color | 2 | 3 | 4 | 5 |

◆ 产品尺寸 Dimensions



编码器轴端看顺时针方向旋转

View from encoder shaft end, clock wise

HKT22XX-002外形图

尺寸单位为毫米, 若无特别说明, 尺寸公差为±0.5mm

Dimensions in mm. Unless otherwise stated, tolerance: ± 0.5mm