



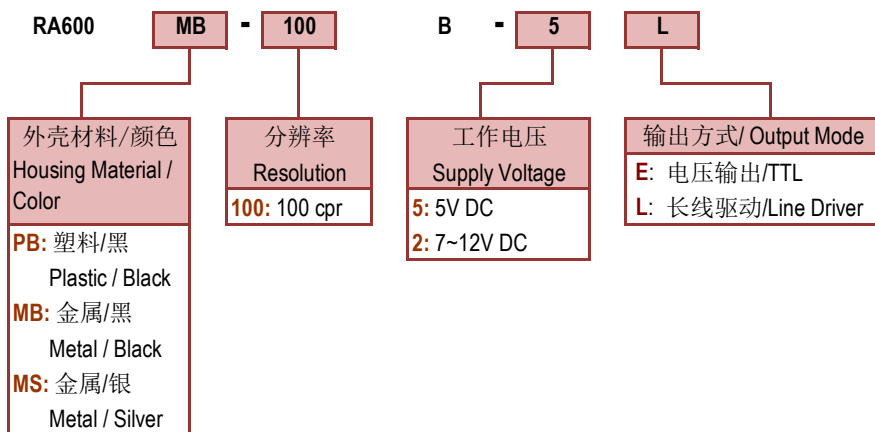
产品特点

- 广泛应用于数控机床
- 2路正交输出信号 (A,B)
- 分辨率100脉冲
- 长线驱动、电压输出等输出方式可选
- 工作寿命100万转

Features

- Widely used with CNC machine tools
- 2 quadrature output channel (A&B)
- Resolution 100 cpr
- Output Form: Line Driver, TTL on option
- Working life cycle up to 1 Million turn

型号说明 Ordering Information



备注 / Note:

- 1 下单前请联系销售人员确认型号
Please contact sales representative to confirm the correctness and availability of the part number
- 2 长线驱动仅5V可选
Line driver only available with 5V DC

技术参数 Technical Specifications

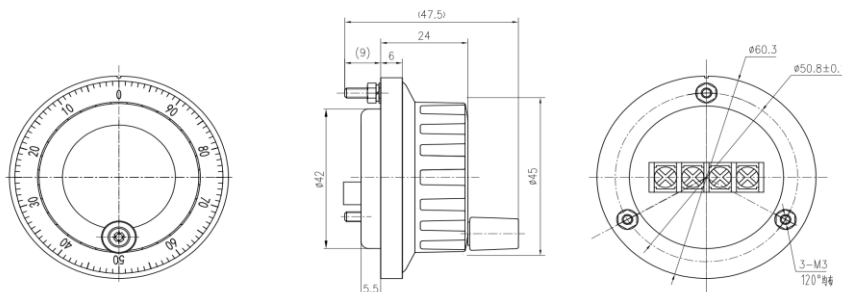
参数/Parameter	标准数值/Typ Value	备注/Note
电源电压/supply Voltage	DC 5V / 7~12V ($\pm 10\%$)	*1 最大响应频率受限于最大转速
最大响应频率/Max. Response Frequency	20 kHz	Max. response frequency is gated by max. rotation speed
最大转速/Max. Rotation Speed (*1)	200 rpm	
最大消耗电流/Max. Current Consumption	120mA (空载/Unloaded 长线驱动/Line Driver)	
最大消耗电流/Max. Current Consumption	100mA (空载/Unloaded 其他输出/Other Output)	
最大上升-下降时间/Max. Rise-Fall Time	20us	
最大工作温度/Max. Operating Temperature	-20 ~ 85°C	
储存温度/Storage Temperature	-20 ~ 85°C	
湿度/Humidity	30%~85% 无结露 / no condensation	
振动/Vibration	5G	
防护等级/IP Rating	IP50	

接线表 Connection Table

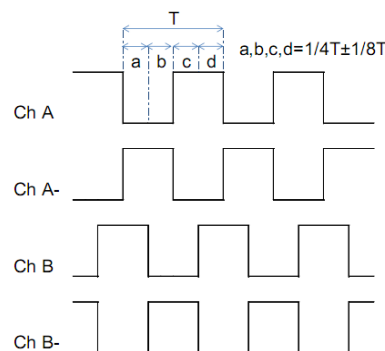
输出信号 Output Signal	A+	B+	0V	Vcc	A-	B-
端子代号-长线驱动 Terminal - Line Driver	1	2	3	4	5	6
端子代号-其他输出 Terminal - Other Output	1	2	3	4	n/a	n/a

产品尺寸 Dimensions

尺寸单位为毫米，若无特别说明，尺寸公差为 $\pm 0.5\text{mm}$
 Dimensions in mm. Unless otherwise stated, tolerance: $\pm 0.5\text{mm}$

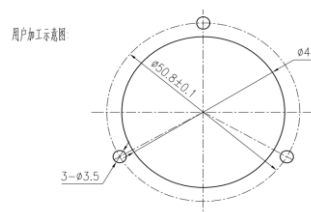


输出波形 Output Waveform



编码器轴端看顺时针方向旋转

Viewed from encoder shaft end, clock wise



用户端加工尺寸
Customer end assembling dimension