



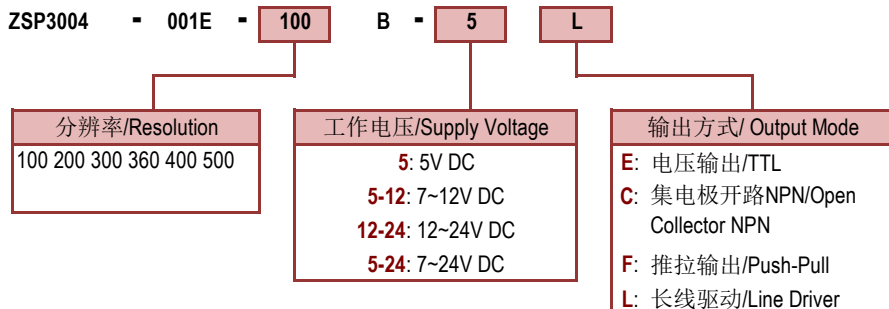
◆ 产品特点

- 体积小，重量轻，方便安装
- 2路正交输出信号 (A,B)
- 外径30mm，轴径4mm

◆ Features

- Miniature size, easy assembling
- 2 quadrature output channel (A&B)
- Housing size 30mm, solid shaft dia. 4mm

◆ 型号说明 Ordering Information



备注 / Note:

- 1 下单前请联系销售人员确认型号  
Please contact sales representative to confirm the correctness and availability of the part number
- 2 长线驱动仅5V可选  
Line Driver only available with 5V DC option

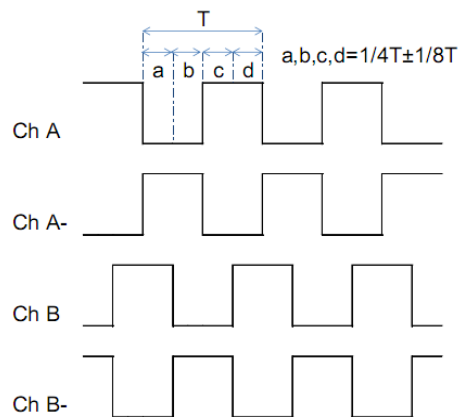
◆ 技术参数 Technical Specifications

| 参数/Parameter                    | 标准数值/Typ Value               | 备注/Note   |
|---------------------------------|------------------------------|---|
| 电源电压/Supply Voltage             | DC 5V/7~24V (±10%)           | *1 最大响应频率受限于最大转速<br>Max. response frequency is gated by max. rotation speed |
| 最大响应频率/Max. Response Frequency  | 60 kHz                       |   |
| 最大转速/Max. Rotation Speed (*1)   | 3000 rpm                     |   |
| 最大消耗电流/Max. Current Consumption | 120mA (空载/Unloaded)          |   |
| 最大上升-下降时间/Max. Rise-Fall Time   | 200ns (长线驱动/Line Driver)     |   |
| 最大上升-下降时间/Max. Rise-Fall Time   | 1us (其他输出/Other Output Mode) |   |
| 工作温度/Operating Temperature      | -20 ~ 85°C                   |   |
| 储存温度/Storage Temperature        | -20 ~ 85°C                   |   |
| 湿度/Humidity                     | 90% 无结露/no condensation      |   |
| 防护等级/IP Rating                  | IP54                         |   |

◆ 接线表 Connection Table

| 接线颜色<br>Color of Lead Wire       | 绿<br>GN | 白<br>WH | 红<br>RD | 黑<br>BK | 屏蔽线<br>Shield | 棕<br>BN | 灰<br>GY |
|----------------------------------|---------|---------|---------|---------|---------------|---------|---------|
| 输出信号-长线驱动<br>Output- Line Driver | A+      | B+      | Vcc     | 0V      | NC            | A-      | B-      |
| 输出信号-其他输出<br>Output- Other Mode  | A+      | B+      | Vcc     | 0V      | NC            | NC      | -       |

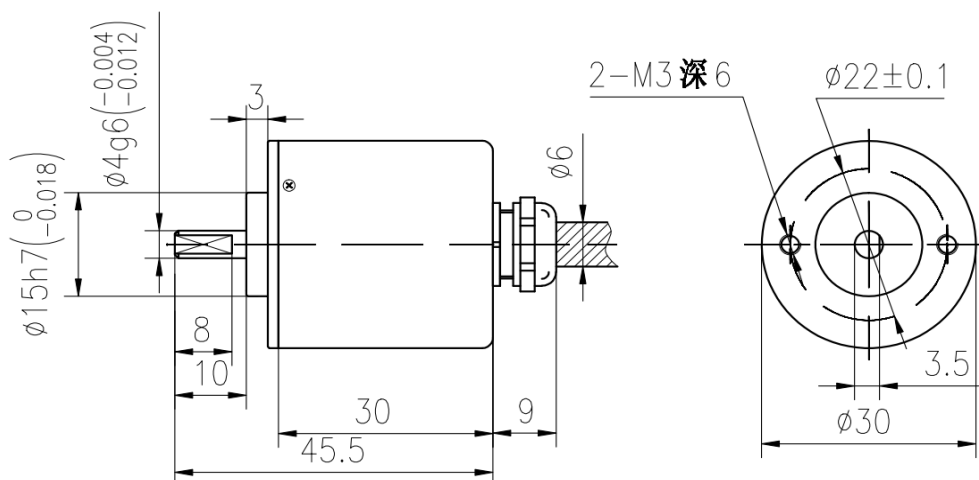
◆ 输出波形 Output Waveform



编码器轴端看顺时针方向旋转

Viewed from encoder shaft end, clock wise

◆ 产品尺寸 Dimensions



尺寸单位为毫米，若无特别说明，尺寸公差为±0.5mm Dimensions in mm. Unless otherwise stated, tolerance: ±0.5mm