



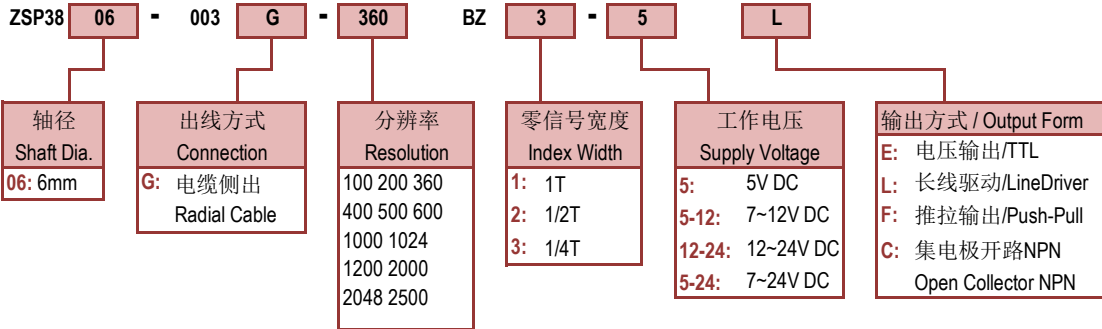
◆ 产品特点

- 体积小、重量轻、安装方便
- 2路正交输出信号 (A/B)+零位信号
- 分辨率高达2500脉冲
- 外径38mm, 轴径6mm

◆ Features

- Miniature size, easy assembling
- 2 quadrature output channel (A&B)+index signal
- Resolution up to 2500 cpr
- Housing size 38mm, shaft dia. 6mm

◆ 型号说明 Ordering Information



备注 / Note:

- 1 下单前请联系销售人员确认型号 / Please contact sales representative to confirm the correctness and availability of the part number
- 2 长线驱动仅5V可选 / Line Driver is only available with 5V DC option.

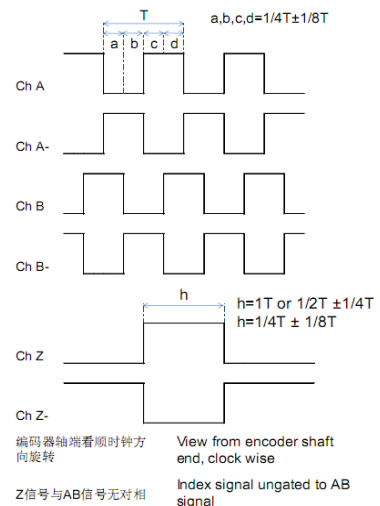
◆ 技术参数 Technical Specifications

参数/Parameter	标准数值/Typ Value	备注/Note
电源电压/supply Voltage	DC 5V / 7~24V (±10%)	*1 最大响应频率受限于最大转速 Max. response frequency is gated by max. rotation speed
最大响应频率/Max. Response Frequency	100 kHz	
最大转速/Max. Rotation Speed (*1)	3000 rpm	
最大消耗电流/Max. Current Consumption	120mA (空载/Unloaded)	
最大上升-下降时间/Max. Rise-Fall Time	200ns (长线驱动/Line Driver)	
最大上升-下降时间/Max. Rise-Fall Time	1us (其他输出/Other Output Mode)	
工作温度/Operating Temperature	-20 ~ 85°C	
储存温度/Storage Temperature	-20 ~ 85°C	
防护等级/IP Rating	IP54	

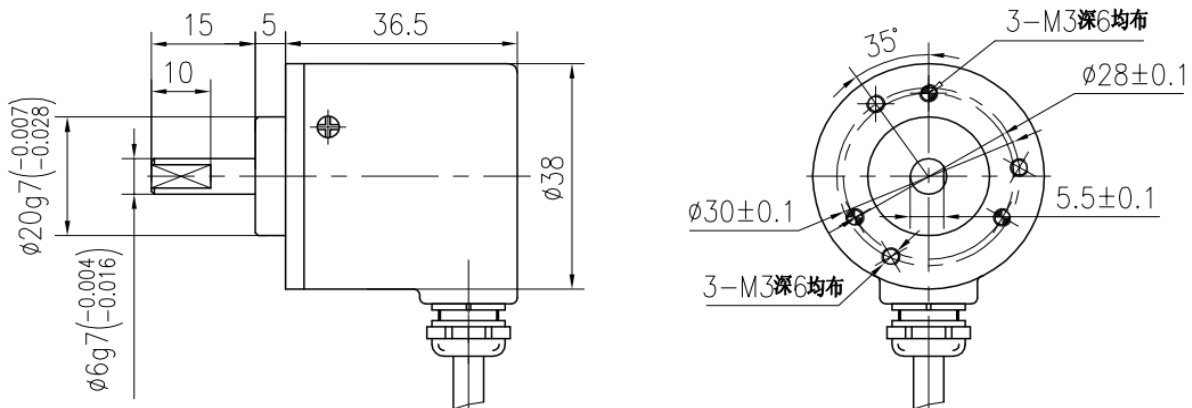
◆ 接线表 Connection Table

接线颜色 Color of Lead Wire	绿 GN	白 WH	黄 YE	红 RD	黑 BK	屏蔽线 Shield	棕 BN	灰 GY	橙 OG
输出信号-长线驱动 Output- Line Driver	A+	B+	Z+	Vcc	0V	NC	A-	B-	Z-
输出信号-其他输出 Output- Other Output	A	B	Z	Vcc	0V	NC	n/a	n/a	n/a

◆ 输出波形 Output Waveform



◆ 产品尺寸 Dimensions



尺寸单位为毫米, 若无特别说明, 尺寸公差为±0.5mm

Dimensions in mm. Unless otherwise stated, tolerance: ± 0.5mm