



◆ 产品特点

- 适用于重载工作环境，如数控机床主轴
- 2路正交输出信号 (A,B)+零位信号
- 分辨率高达4096脉冲
- 法兰安装，尺寸68*68

◆ Features

- Application in heavy duty, especially on CNC machine tools spindle
- 2 quadrature output channel (A&B)+index signal
- Resolution up to 4096 cpr
- Flange dimension 68*68

◆ 型号说明 Ordering Information

轴径 Shaft Dia. FM: 15mm	分辨率 Resolution A-500 A4-600	工作电压 Supply Voltage 5: 5V DC 4: 7~24V DC	输出方式 Output Form E: 电压输出/TTL L: 长线驱动/Line Driver F: 推拉输出/Push-Pull C: 集电极开路/Open Collector NPN	零信号宽度 Index Width 1: 1T 2: 1/2T 3: 1/4T	芯数 Wire Qty 1: 7 3: 9	出线方式 Connection C: 插座 Plug G: 电缆 Cable	电缆长度 Cable Length N: 3m P: 4m Q: 6m O: 插座 Plug	轴长、键槽 Shaft Length&Slot 1: 25mm通槽/through slot 2: 30mm闷槽/blind slot 3: 25mm闷槽/blind slot
------------------------------	--------------------------------------	---	---	---	--------------------------------	---	---	--

RA58 **FM** - **J** **5** **L** **3** - **3** **C** **O** **1**

AB-900 B-1000 J-1024
A8-1200 AA-1800 T-2000 U-2048 V-2400 AP-3600 AQ-4096

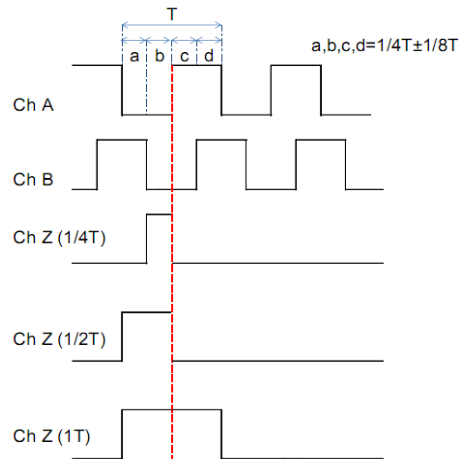
备注 / Note:

- 1 下单前请联系销售人员确认型号 / Please contact sales representative to confirm the correctness and availability of the part number
- 2 长线驱动仅5V可选 / Line Driver is only available with 5V option
- 3 500, 600, 1024脉冲，零信号宽度1T不可选 / 500, 600, 1024 cpr is not available with index width 1T

◆ 技术参数 Technical Specifications

参数/Parameter	标准数值/Typ Value	备注/Note
电源电压/supply Voltage	DC 5V / 7~24V (±10%)	*1 最大响应频率受限于最大转速 Max. response frequency is gated by max. rotation speed
最大响应频率/Max. Response Frequency	150 kHz	
最大转速/Max. Rotation Speed (*1)	3000 rpm	
最大消耗电流/Max. Current Consumption	120mA (空载/Unloaded)	
最大上升-下降时间/Max. Rise-Fall Time	200ns (长线驱动/Line Driver)	
最大上升-下降时间/Max. Rise-Fall Time	1us (其他输出/Other Output Mode)	
工作温度/Operating Temperature	-20 ~ 85°C	
储存温度/Storage Temperature	-20 ~ 85°C	
防护等级/IP Rating	IP54	

◆ 输出波形 Output Waveform

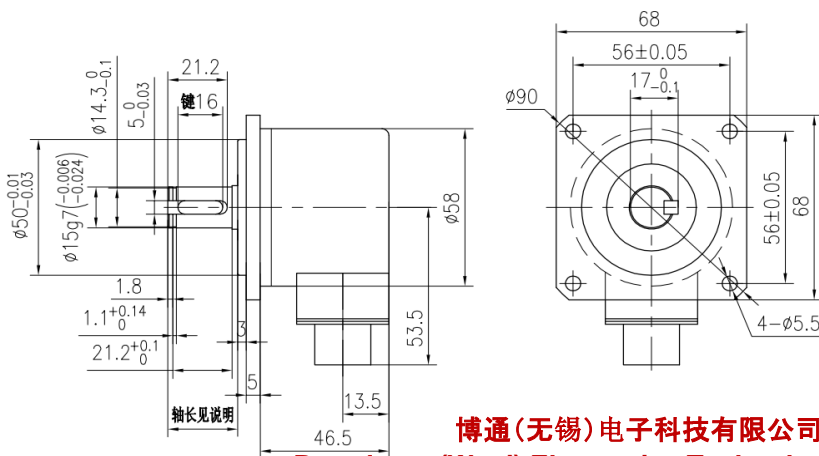


编码器轴端看顺时针方向旋转
View from encoder shaft end, clock wise

◆ 接线表 Connection Table

接线颜色 Wire Color	红 RD	黑 BK	绿 GN	棕 BN	白 WH	灰 GY	黄 YE	橙 OG	铜网 Shilding
输出信号 Output Signal	Vcc	0V	A+	A-	B+	B-	Z+	Z-	GND
插座号(7芯) Plug # (7 wire)	1	4	3	n/a	5	n/a	2	n/a	6
插座号(9芯) Plug # (9 wire)	1	4	5	7	3	6	2	8	9

◆ 产品尺寸 Dimensions



尺寸单位为毫米，若无特别说明，尺寸公差为±0.5mm

Dimensions in mm. Unless otherwise stated, tolerance: ± 0.5mm